

HYDRAULIC CYLINDERS

From standard to advanced type, a recognised line-up of high performance cylinders accommodates every KITAGAWA Chuck. When selecting the combination of chuck cylinders, please contact us.



SS series

Compact Style Hydraulic Cylinder with Open Centre



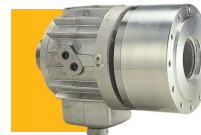
S series

Large Thru-Hole High Speed Hydraulic Cylinder with Open Centre



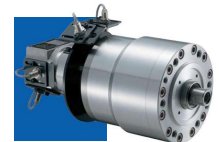
S-L series

Long stroke High Speed Hydraulic Cylinder with Open Centre



F series

High Speed Hydraulic Cylinder with Open Centre



YW-R series

Double piston cylinder



NEW

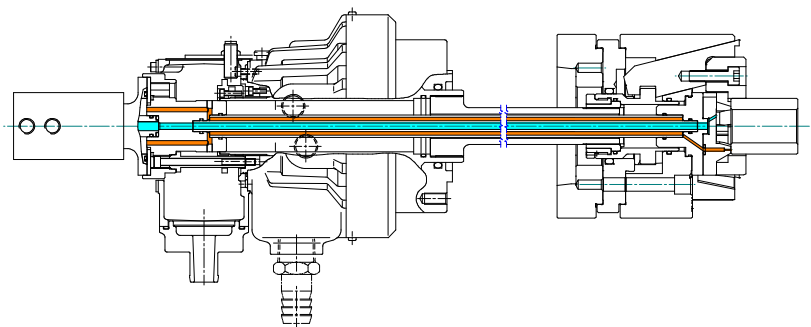
SR Series

Next-generation hydraulic cylinder with large through-hole

The best suitable design for Kitagawa power chuck

SPECIAL SOLUTION

Kitagawa cylinders can be customized for Air Seating, Through Coolant and Air Blast requirements.



M series

Compact Style Hydraulic Cylinder with Closed Centre



Y-R series

Hydraulic Cylinder with Closed Centre



Y-RE series

Hydraulic Cylinder with Closed Centre



AY-R series

High Speed Air Cylinder with Closed Centre



YS series

Stationary Cylinder